

AMI5000 ETHERCAT® REMOTE PENDANT

Agile machine control at your fingertips

AT A GLANCE

- ▶ Portable machine control interface
- ▶ Compact, lightweight and durable design
- ▶ Industry leading EtherCAT® fieldbus
- ▶ Customisable button graphics
- ▶ Machine mounted magnetic cradle
- ▶ Machine safety intergration



High compatibility and reduced cabling complexity with **EtherCAT®**



STREAMLINED

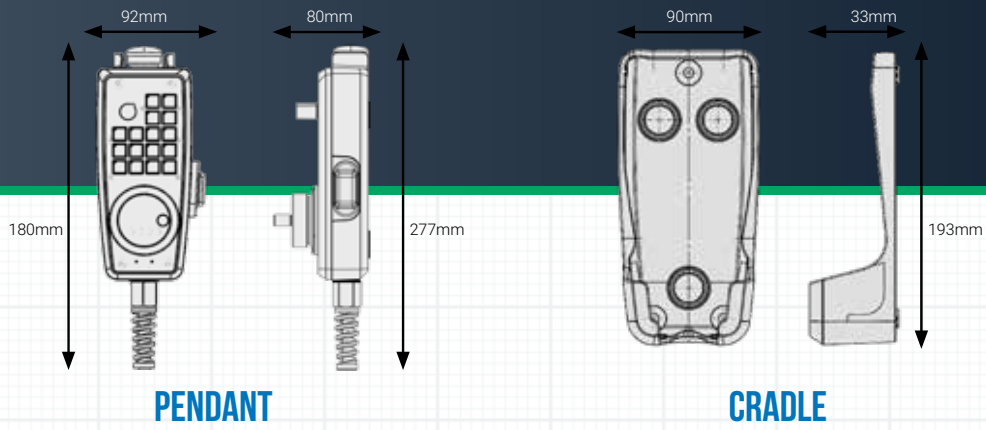
EtherCAT® connectivity reduces overall cable size and weight as well as being readily compatible with most modern control systems.

BUILT TO LAST

The durable plastic composite body is very resistant to impacts and environmental hazards, perfect for demanding applications.

IN YOUR HANDS

Design your own graphics and button functions for specialised applications. Add custom branding, colours and labels.



PENDANT

CRADLE



INTERACTION

- MPG hand wheel
- Feedrate control
- 16 control buttons

DURABLE

- Plastic composite casing
- Wear and drop resistant

COMMUNICATION

- 100Mbps
- EtherCAT® field bus
- RUN and ERROR status LEDs

CONNECTION

- 18 pin circular connector
- 24Vdc input
- Up to 10m cable

SPECIAL FEATURES

- Customisable branding
- Field upgradeable firmware
- Reduced cable diameter

SAFETY

- Dual channel Emergency Stop

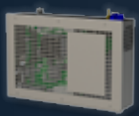
STORAGE

- Magnetic cradle
- Machine mounted



SAFETY

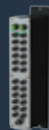
- Dual channel Hold-To-Run



CNC



MOTORS



IO DEVICES



USER INTERFACES



SOFTWARE



SERVO DRIVES